

Technical data sheet



Product features

Pizza oven snack double tier

Model	SAP Code	00015040
--------------	-----------------	----------



- Pizza capacity [cm]: 2x 35
- Stoneplates: Lower
- Stone plates thickness [mm]: 14
- Material: AISI 430
- Control type: Mechanical
- Type of handle: Short, plastic
- Independent heating zones: Separate control for upper and lower heating elements
- Interior lighting: Yes

SAP Code	00015040	Minimum device temperature [°C]	50
Net Width [mm]	577	Maximum device temperature [°C]	400
Net Depth [mm]	543	Width of internal part [mm]	410
Net Height [mm]	477	Depth of internal part [mm]	370
Net Weight [kg]	42.00	Height of internal part [mm]	90
Power electric [kW]	3.400	Pizza capacity [cm]	2x 35
Loading	230 V / 1N - 50 Hz		

Technical data sheet



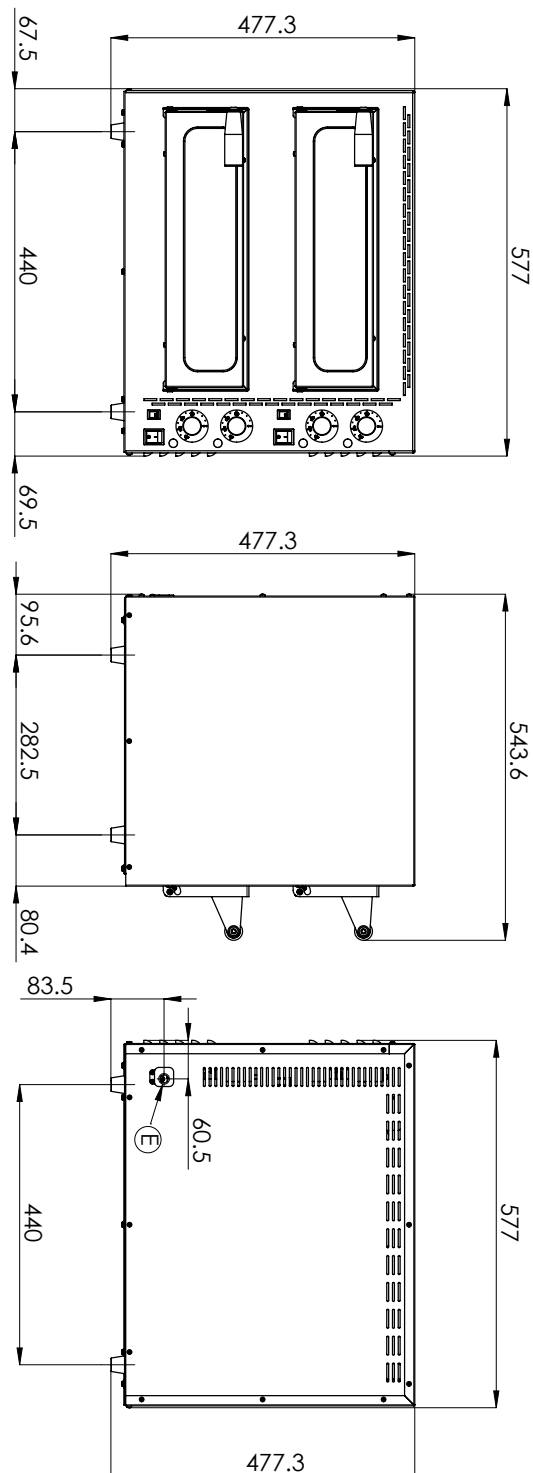
Technical drawing

Pizza oven snack double tier

Model

SAP Code

00015040



Technical data sheet



Technical parameters

Pizza oven snack double tier

Model	SAP Code	00015040
--------------	-----------------	----------

1. SAP Code:

00015040

2. Net Width [mm]:

577

3. Net Depth [mm]:

543

4. Net Height [mm]:

477

5. Net Weight [kg]:

42.00

6. Gross Width [mm]:

620

7. Gross depth [mm]:

560

8. Gross Height [mm]:

510

9. Gross Weight [kg]:

46.00

10. Exterior color of the device:

Stainless steel

11. Material:

AISI 430

12. Device type:

Electric unit

13. Power electric [kW]:

3.400

14. Loading:

230 V / 1N - 50 Hz

15. Control type:

Mechanical

16. Width of internal part [mm]:

410

17. Depth of internal part [mm]:

370

18. Height of internal part [mm]:

90

19. Minimum device temperature [°C]:

50

20. Maximum device temperature [°C]:

400

21. Pizza capacity [cm]:

2x 35

22. Indicators:

operation and warm-up

23. Type of handle:

Short, plastic

24. Stoneplates:

Lower

25. Stone plates thickness [mm]:

14

26. Independent heating zones:

Separate control for upper and lower heating elements

27. Interior lighting:

Yes

28. Number of cavities:

2

Technical data sheet



Technical parameters

Pizza oven snack double tier

Model

SAP Code

00015040

29. Cross-section of conductors CU [mm²]:

1

– Výkon (kW): 3,7-5 (230 V); 6,4-8,7 (400 V)